

MOFFAT®

SOTTORIVA Twist Spiral Mixers

Bakery



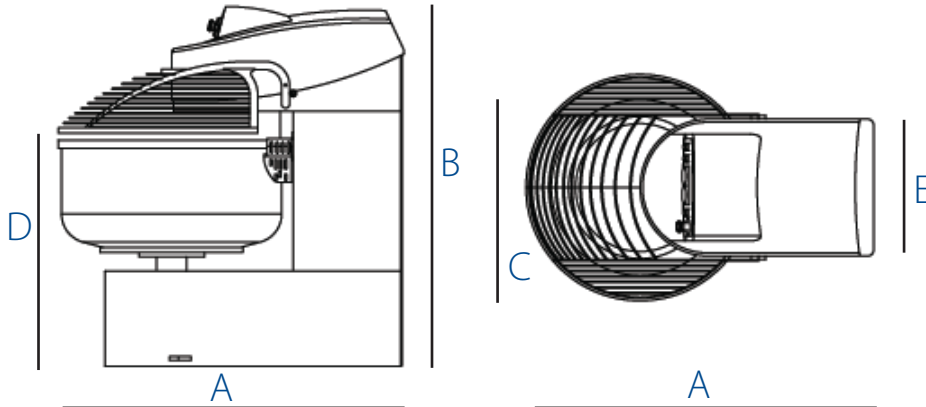
Features & Benefits



- Designed for heavy duty use
- Low & high speed controls, two timers
- Fitted with an enclosed perspex lid
- All models are fully guarded with micro-switch controlled safety features
- Automatic change from low - high speed
- Bowl reverse function as standard
- Patented breaker arm is fitted to all bowls
- Adjustable feet for added stability

SOTTORIVA Twist Spiral Mixers

TECHNICAL DATA



Dimensions	Twist 60	Twist 90	Twist 130
Depth - A	1049mm	1174mm	1271mm
Height - B	1254mm	1359mm	1359mm
Width - C	626mm	739mm	833mm
Height of Bowl Edge - D	778mm	819mm	963mm
Base Width - E	450mm	530mm	530mm

Bowl Capacity	Twist 60	Twist 90	Twist 130
Dough	60 kg	90 kg	130 kg
Flour	38 kg	50 kg	70 kg

Weight	Twist 60	Twist 90	Twist 130
Kilograms	285kg	405kg	430kg

Electrical Specifications

Twist 60	400 - 415V, 3P + E, 50Hz, 5.0kW, 4 pin 20 amp plug
Twist 90	400 - 415V, 3P + E, 50Hz, 5.8kW, 4 pin 20 amp plug
Twist 130	400 - 415V, 3P + E, 50Hz, 7.5kW, 4 pin 32 amp plug

In line with policy to continually develop and improve its products, Moffat reserves the right to change specifications and design without notice.

National Sales Hotline
Toll Free 1800 023 953

Melbourne
740 Springvale Road
Mulgrave, Victoria 3170
Telephone (613) 9518 3888
Facsimile (613) 9518 3833
Email: vsales@moffat.com.au

Sydney
Telephone (612) 8833 4111
Facsimile (612) 8833 4122
Email: nswsales@moffat.com.au

Perth
Telephone (618) 9202 6820
Email: vsales@moffat.com.au

Adelaide
Telephone 1800 023 953
Facsimile (613) 9518 3833
Email: vsales@moffat.com.au

Brisbane
Telephone (617) 3630 8600
Facsimile (617) 3630 8623
Email: qldsals@moffat.com.au

Christchurch, New Zealand
Telephone (643) 389 1007
Facsimile (643) 389 1276
Email: sales@moffat.co.nz
Web: www.moffat.co.nz

Auckland, New Zealand
Telephone (649) 574 3150
Facsimile (649) 574 3159
Email: sales@moffat.co.nz
Web: www.moffat.co.nz

National 24 Hour Service Hotline
(Australia Wide)
Toll Free 1800 622 216

Replacement Parts
(Australia Wide)
Toll Free 1800 337 963

